

## FH8532E:

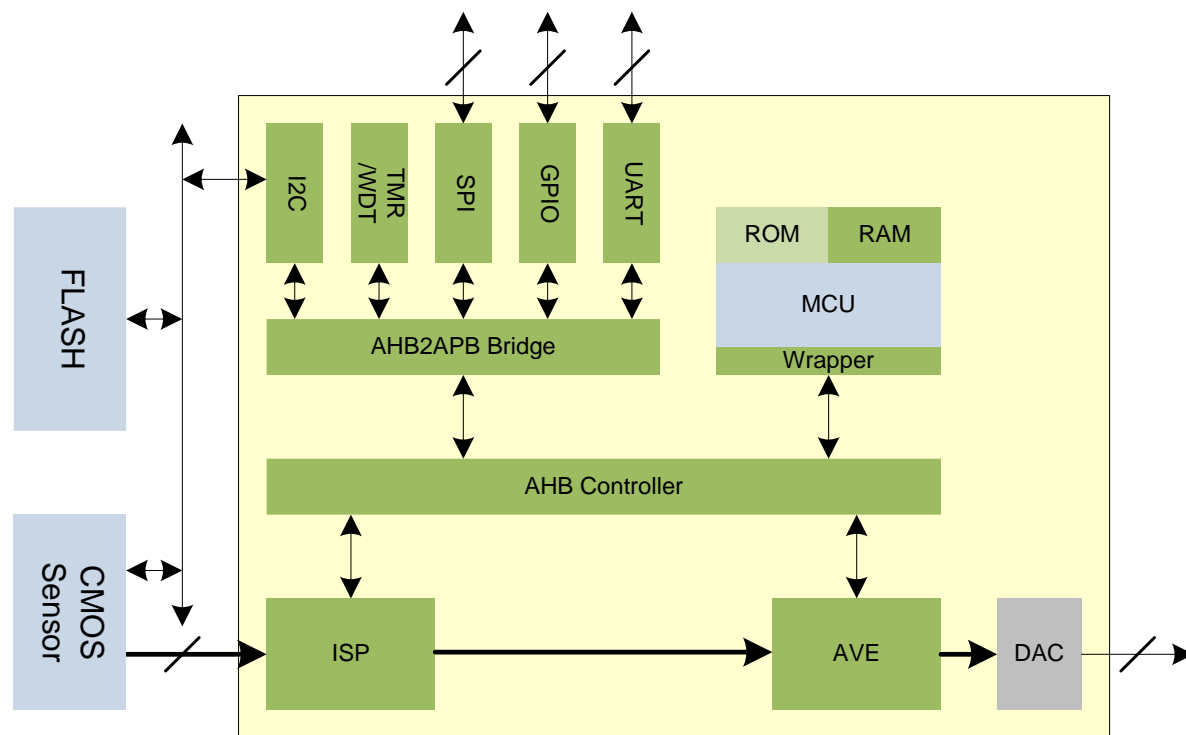
**g**
**497**
**P**

FH8532E is a Low-Power High Performance ISP for CIS ( CMOS Image Sensor ) and targeted on professional surveillance CCTV camera with internal HDcctv Tx. FH8532E supports 1M/1.3M Pixel CIS 10bits BAYER input. Its analog video outputs support standard CVBS/960H/ 1280H, and 720P60/50/30/25 HDcctv standard. FH8532E supports 2D De-noise, OSD, Coaxial control and it also has special engine to improve the HDcctv signal transmission quality with long distance. FH8532E has big embedded RAM for various customized functions. It's suitable for all kind of 720P HDcctv camera's application.



FH8532E			
CIS Input	Support 1.3M ( 1280*960 ) /1.0M ( 1280*720 ) CMOS sensor	Video Ouput	Analog Output: CVBS ( 1280H )
	RGB; Data Width 10bit; Clock up to 108MHz Clock edge, Frame polarity & Line polarity are configurable		HDcctv : 720P60/50/30/25
ISP Function	Fixed pattern noise eliminate	Resolution	CVBS 800TVL above HDcctv : 1000TVL above
	High performance CFA		External Interface
	Adaptive 2D de-noise	SPI	
	High performance Y/C de-noise	UART	
	Auto AE/AWB	Others	GPIO
LSC	SADC		
DPC	Working Temperature : -20°C - 70°C		
	Typical Power Consumption: 220mW 720P30		
	Power Supply: Analog (3.3V);IO(3.3V or 1.8V);Digital(1.2V)		
OSD Function	Customized OSD		Package : QFN56 (7*7)

## Diagram



## Typical Reference Design:

